

**Sport Exhaust System (I-no. 0P8/0P9)**

Revision: This bulletin replaces bulletin Group 2, #47/14, dated July 28, 2015.

Model Year: **As of 2014**

Concern: **Retrofitting**

Vehicle Type: **Macan S/Macan Turbo**

Restriction: The sport exhaust system can be retrofitted starting from the following vehicle identification numbers.

Macan Turbo	Left-hand drive (LHD)	USA	WP1AF2A54FLB91615 <sup>1</sup>
Macan S	Left-hand drive (LHD)	USA	WP1AB2A55FLB53354 <sup>1</sup>

<sup>1</sup> Vehicles with a 4 instead of a 5 or 9 as the 13th character of the vehicle identification number were produced at a later date. Example: Macan Turbo WPXXX95XXX47303. The vehicle can be retrofitted.



**Information**

After installing the sports exhaust system, the **wiring diagram** of the exhaust flaps will be **different** to that of the standard exhaust system.



Note: The sport exhaust system is activated and deactivated using the strip for switches with the additional "Twin tailpipe" button or the standard "Sport" button. In Sport mode, the sport exhaust system can be deactivated by pressing the Twin tailpipe button.

Engine power and exhaust behaviour of the vehicle are not affected. The sport exhaust system is also available ex-works for new vehicles by requesting optional equipment "OP8/OP9".

Parts Info:

- 95B.044.200.19** With tailpipe covers in Silver  
⇒ Sports exhaust system, left-hand drive (LHD), set
- 95B.044.200.20** With tailpipe covers in Black  
⇒ Sports exhaust system, left-hand drive (LHD), set

Information on ordering: The strip for switches (keypad) must also be ordered. The illustration and table make ordering easier.

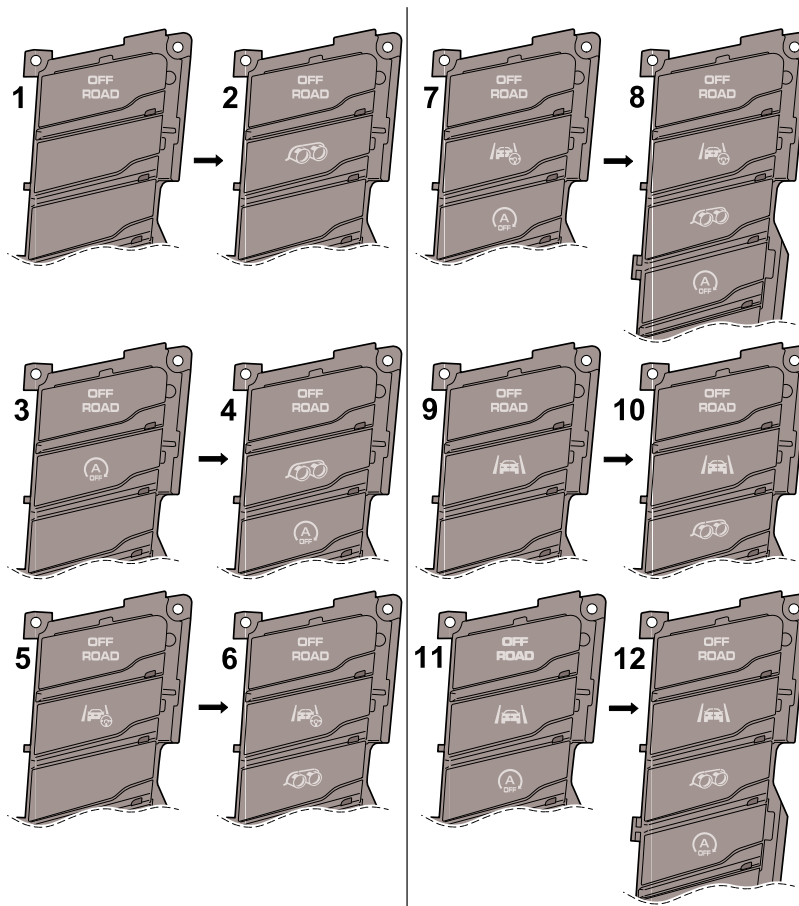


Figure 2

Installed strip for switches		Required strip for switches	
1	95B.907.042.H	2	95B.907.042.M
3	95B.907.042.J	4	95B.907.042.N
5	95B.907.042.K	6	95B.907.042.Q
7	95B.907.042.L	8	95B.907.042.R
9	95B.907.042.S	10	95B.907.042.AA
11	95B.907.042.T	12	95B.907.042.AB

Parts List:

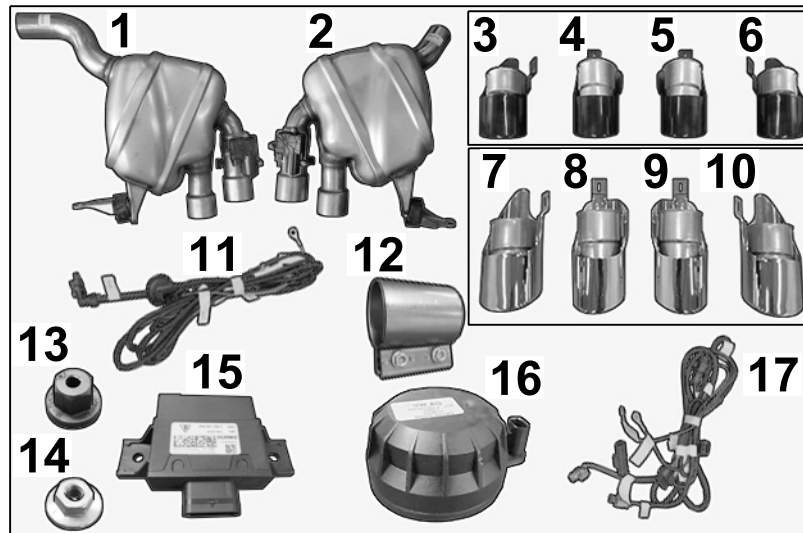


Figure 3

95B.253.612.FY	1 x	Rear muffler, right ⇒ <i>Figure 3-1-</i>
95B.253.611.FY	1 x	Rear muffler, left ⇒ <i>Figure 3-2-</i>
95B.253.681.R <sup>3 5</sup>	1 x	Tailpipe cover in chrome-plated stainless steel, high-gloss black, outer left ⇒ <i>Figure 3-3-</i>
95B.253.681.Q <sup>3 5</sup>	1 x	Tailpipe cover in chrome-plated stainless steel, high-gloss black, inner left ⇒ <i>Figure 3-4-</i>
95B.253.682.Q <sup>3 5</sup>	1 x	Tailpipe cover in chrome-plated stainless steel, high-gloss black, inner right ⇒ <i>Figure 3-5-</i>
95B.253.682.R <sup>3 5</sup>	1 x	Tailpipe cover in chrome-plated stainless steel, high-gloss black, outer right ⇒ <i>Figure 3-6-</i>
999.073.594.01	4 x	Lens-head screw, M6 x 12 (not shown)
95B.253.681.P <sup>2 4</sup>	1 x	Tailpipe cover in chrome-plated stainless steel, high-gloss silver, outer left ⇒ <i>Figure 3-7-</i>
95B.253.681.N <sup>2 4</sup>	1 x	Tailpipe cover in chrome-plated stainless steel, high-gloss silver, inner left ⇒ <i>Figure 3-8-</i>

95B.253.682.N <sup>2 4</sup>	1 x	Tailpipe cover in chrome-plated stainless steel, high-gloss silver, inner right ⇒ <i>Figure 3-9-</i>
95B.253.682.P <sup>2 4</sup>	1 x	Tailpipe cover in chrome-plated stainless steel, high-gloss silver, outer right ⇒ <i>Figure 3-10-</i>
95B.044.200.26 <sup>2 3</sup>	1 x	Wire harness for sport exhaust system (flap control), LHD ⇒ <i>Figure 3-11-</i>
958.111.220.10	2 x	Clamping sleeve ⇒ <i>Figure 3-12-</i>
95B.044.200.29 <sup>4 5</sup>	1 x	Wire harness for sport exhaust system (flap control), RHD (not shown)
999.076.081.40	2 x	Plastic nut ⇒ <i>Figure 3-13-</i>
N. 908.877.03	1 x	M6 hexagon nut, self-locking ⇒ <i>Figure 3-14-</i>
8R0.907.159.D	1 x	Engine noise pulse sender control unit ⇒ <i>Figure 3-15-</i>
4H0.907.601.D	1 x	Engine noise pulse sender ⇒ <i>Figure 3-16-</i>
95B.044.200.25	1 x	Wire harness for engine noise pulse sender ⇒ <i>Figure 3-17-</i>
N. 106.620.01	4 x	Screw, M8 x 40 (not shown)
999.513.052.40	25 x	Tie-wrap (not shown)
999.650.398.12	3 x	Cable ring eyelet (not shown)
999.607.084.00	1 x	Blade-type fuse, 10 A (not shown)
N. 912.098.01	1 x	Screw, 7/16 x 20, mounting for seat belt (not shown)
— — —	5 x	Adhesive pad (not shown)

<sup>2</sup> Only contained in parts kit 95B.044.200.19.

<sup>3</sup> Only contained in parts kit 95B.044.200.20.

<sup>4</sup> Only contained in parts kit 95B.044.200.21.

<sup>5</sup> Only contained in parts kit 95B.044.200.22.

#### Notes:

#### Identifying features when installed

- 1** – Marking on rear muffler, left
- 2** – Marking on rear muffler, right
- 3** – Marking on tailpipe covers

The Porsche logo, type number and part number are shown on the underside of the rear mufflers as follows:

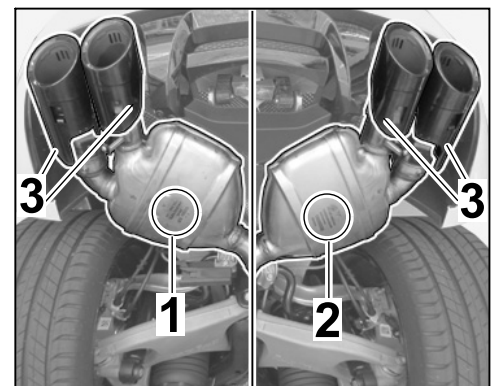


Figure 4



- 1.4 Remove the filler neck from the washer-fluid reservoir.
  - 1.4.1 Remove the screws ⇒ *Figure 5-2*.
  - 1.4.2 Pull the filler neck ⇒ *Figure 5-1* out of the washer-fluid reservoir and remove it.

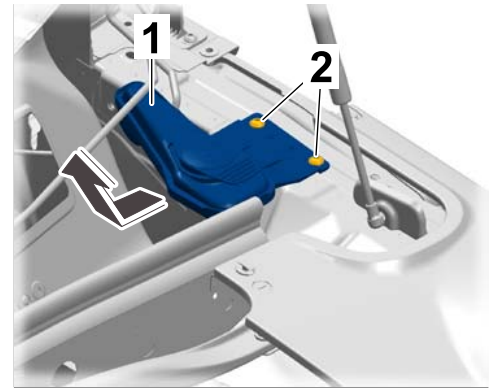


Figure 5

- 1.5 Remove trim panel under dashboard (driver's side).
  - 1.5.1 Remove the dashboard trim panel on the left. ⇒ *Workshop Manual '701619 Removing and installing the dashboard trim panel'*
  - 1.5.2 Remove the dashboard moulding on the driver's side on the right. ⇒ *Workshop Manual '70581902 Removing and installing the dashboard moulding on the driver's side on the right'*
  - 1.5.3 Remove the dashboard moulding on the driver's side on the left. ⇒ *Workshop Manual '70581901 Removing and installing the dashboard moulding on the driver's side on the left'*
  - 1.5.4 Remove trim panel under dashboard (driver's side). ⇒ *Workshop Manual '70191901 Removing and installing trim panel under dashboard at the left'*
- 1.6 Remove front inner door sill trim (on driver's side). ⇒ *Workshop Manual '680519 Removing and installing front inner door sill trim'*
- 1.7 Remove lower part of B-pillar trim panel (on driver's side).
  - 1.7.1 Remove upper part of B-pillar trim panel (on driver's side). ⇒ *Workshop Manual '706719 Removing and installing upper part of B-pillar trim panel'*
  - 1.7.2 Detach belt fitting on the front seat (driver's side). ⇒ *Workshop Manual '691119 Removing and installing front three-point belt'*
  - 1.7.3 Remove lower part of B-pillar trim panel (on driver's side). ⇒ *Workshop Manual '706719 Removing and installing lower part of B-pillar trim panel'*
- 1.8 Remove rear seat backrest (on driver's side).
  - 1.8.1 Remove rear seat. ⇒ *Workshop Manual '724819 Removing and installing rear seat'*

- 1.8.2 Unscrew screw ⇒ *Figure 6-1-* from belt fitting for centre seat belt ⇒ *Figure 6-2-*.
- 1.8.3 Remove rear seat backrest (on driver's side). ⇒ *Workshop Manual '724719 Removing and installing rear backrest'*

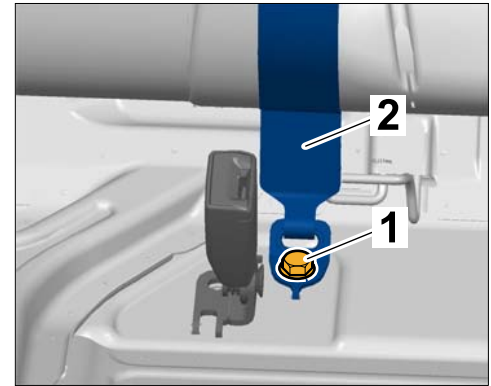


Figure 6

- 1.9 Remove trim panel for luggage compartment at the side (driver's side) ⇒ *Figure 7-1-*. ⇒ *Workshop Manual '700619 Removing and installing trim panel for luggage compartment (luggage compartment cover) at the sides'*

- 1.10 Remove rear door sill trim (on driver's side).

- 1.10.1 Remove the rear lock carrier cover. ⇒ *Workshop Manual '703919 Removing and installing the rear lock carrier cover'*

- 1.10.2 Remove side trim panel for luggage compartment (on driver's side). ⇒ *Workshop Manual '700319 Removing and installing side trim panel for rear luggage compartment'*

- 1.10.3 **Only** for vehicles with rear side airbag: Disconnect the battery. ⇒ *Workshop Manual '2X00IN Work instructions after disconnecting the battery'*

Remove rear side airbag (on driver's side). ⇒ *Workshop Manual '696419 Removing and installing rear side airbag'*

- 1.10.4 Remove rear door sill trim (on driver's side). ⇒ *Workshop Manual '680519 Removing and installing rear inner door sill trim'*

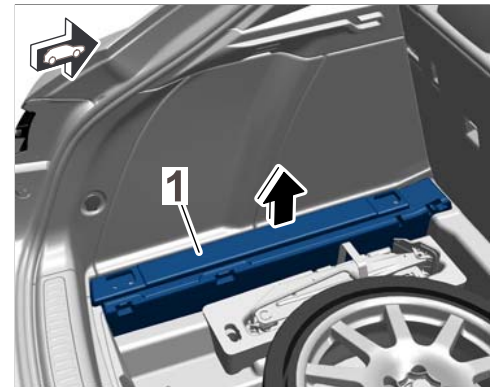


Figure 7

- 1.11 Loosen nuts ⇒ *Figure 8-1-*. Remove oddments tray ⇒ *Figure 8-2-*.
- 1.12 **Only** for vehicles with rear-differential lock (I-no. 1Y1):  
Remove rear-differential lock control unit and holder. ⇒ *Workshop Manual '397519 Removing and installing control unit for rear-differential lock'*
- 1.13 Loosen fuse box in the cowl panel.
- 1.13.1 Disconnect the battery. ⇒ *Workshop Manual '2X00IN Work instructions after disconnecting the battery'*
- 1.13.2 Remove the DME control unit. ⇒ *Workshop Manual '247019 Removing and installing the DME control unit'*
- 1.13.3 Release and disconnect electric plug connections ⇒ *Figure 9-1-*.  
Screw off M6 hexagon nut ⇒ *Figure 9-2-* and remove positive cable from the fuse box ⇒ *Figure 9-3-*.

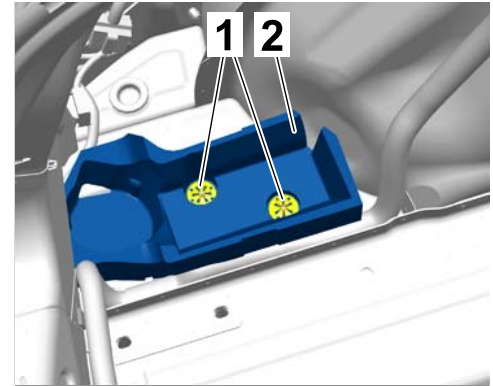


Figure 8

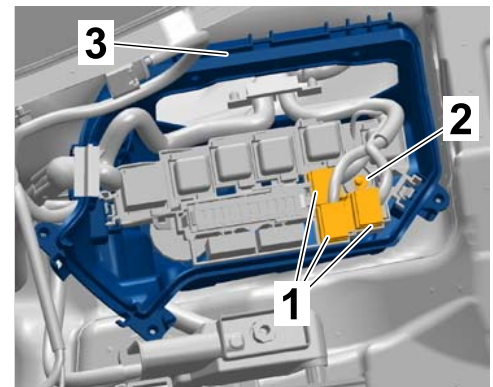
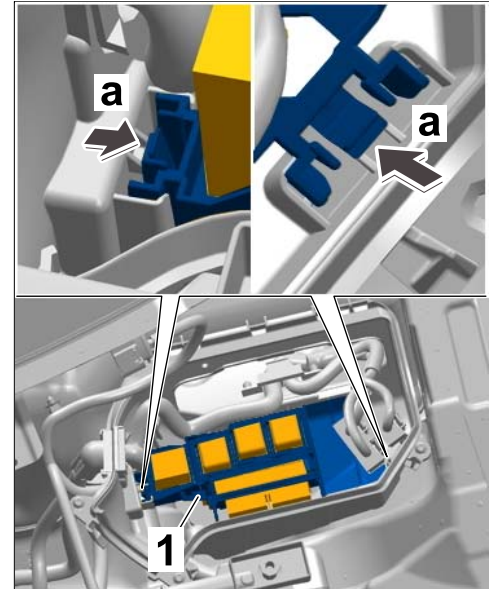


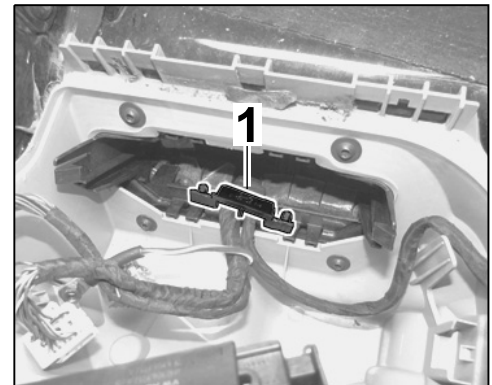
Figure 9

- 1.13.4 Release fuse box ⇒ *Figure 10-1-*  
at the left and right ⇒ *Figure 10-a-*  
and set it aside.



*Figure 10*

- 1.13.5 Unclip wire harness holder ⇒ *Figure 17-1-*  
using a mounting lever.
- 2 Install an electric wire harness for the sport exhaust  
system (flap control).
- 2.1 Overview of wire harness routing for sport  
exhaust system.
- 2.1.1 Left-hand drive:



*Figure 11*

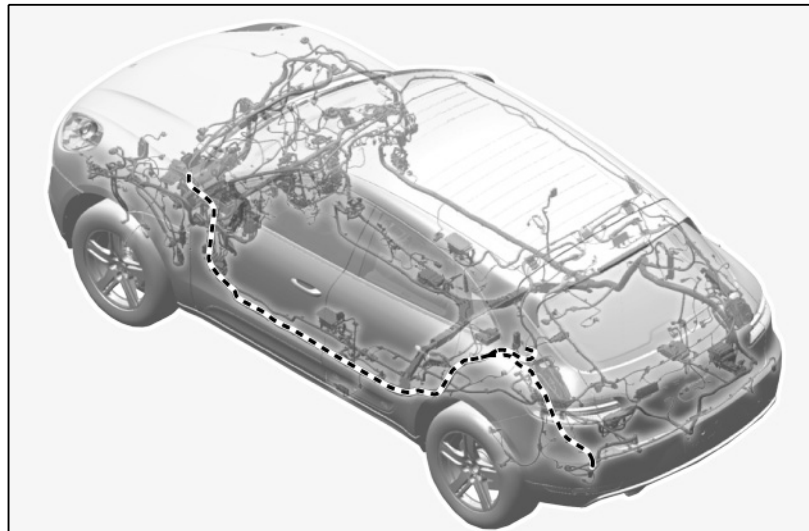


Figure 12

## 2.2 Route the electric wire harness for the sport exhaust system

### 2.2.1 Press out stopper ⇒ Figure 14-2-

Guide connector through the bore and fit grommet ⇒ Figure 14-1-.

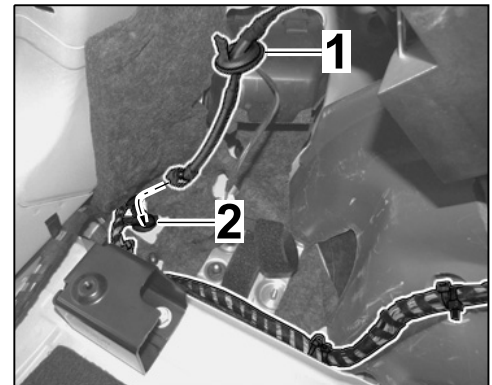


Figure 14

### 2.2.2 **Only** for LHD vehicles: Connect the ground line ⇒ Figure 17-1- to ground pin 43 ⇒ Figure 17-2-.

**Tightening torque 9 Nm  
(6.5 ftlb.)**

Secure the wire harness for the sport exhaust system to the standard wire harness using tie-wraps.

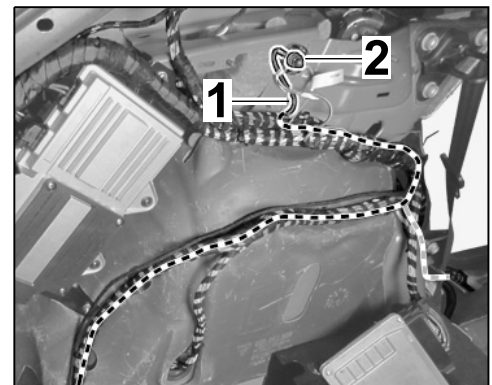


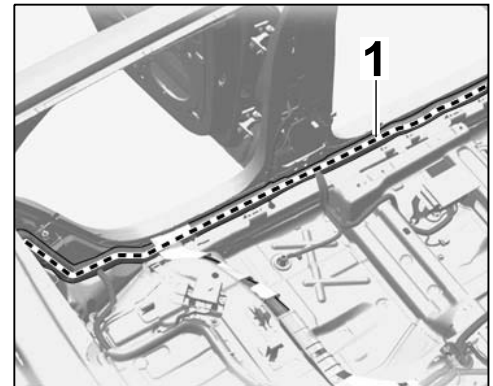
Figure 17



### Information

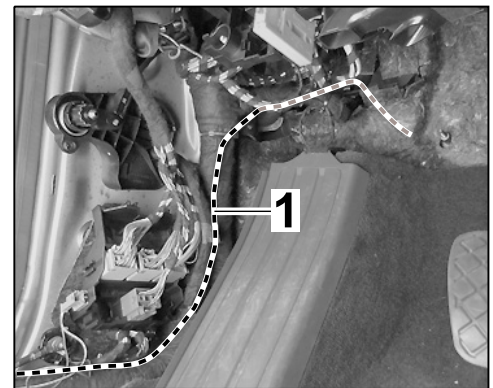
On right-hand drive vehicles, the wire harness for the sports exhaust system is routed to the A-pillar on the right-hand side of the vehicle.

- 2.2.3 Secure the wire harness for the sport exhaust system ⇒ *Figure 18* -1- to the standard wire harness for the passenger compartment on the left,



*Figure 18*

and across the A-pillar to the fuse box in the cowl panel. Secure using tie-wraps.



*Figure 19*



### Information

Ensure socket contact is seated securely.

- 2.3 Connect the VT/BU line ⇒ *Figure 20-1-* to the red connector (fuse box in cowl panel).
- 2.3.1 Open secondary lock ⇒ *Figure 20-a-*.
- 2.3.2 Insert socket contact ⇒ *Figure 20-b-* of VT/BU line into chamber 6.



#### Information

Ensure socket contact is seated securely.

- 2.4 Connect the disconnection point for the sport exhaust system wire harness.
- 2.4.1 Press socket contact of RD/GN line ⇒ *Figure 21-1-* out of the red connector, chamber 17 using press-out tool ⇒ *Figure 21-b-*.

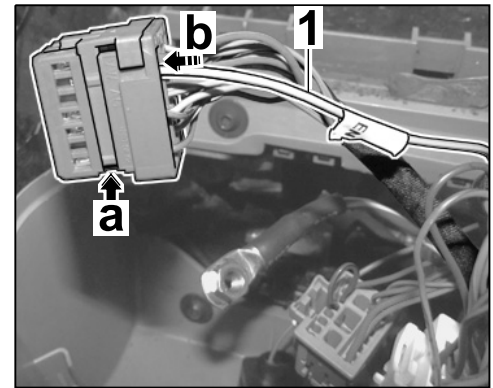


Figure 20

- 2.4.2 Open secondary lock ⇒ *Figure 22-1-* on the plug socket (connection point) ⇒ *Figure 22-a-*.
- Insert socket contact of the RD/GN line you pressed out ⇒ *Figure 22-2-* into chamber 2 of the plug socket ⇒ *Figure 22-b-*.
- Close secondary lock on the plug socket (connection point).
- 2.4.3 Insert adapter line ⇒ *Figure 22-3-* (connection point) into chamber 17 of the red connector ⇒ *Figure 22-c-*.
- 2.4.4 Close secondary lock on red connector.

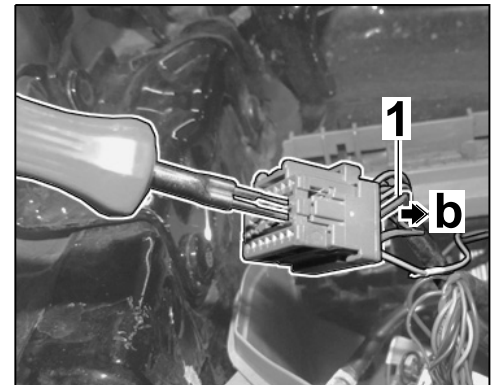


Figure 21

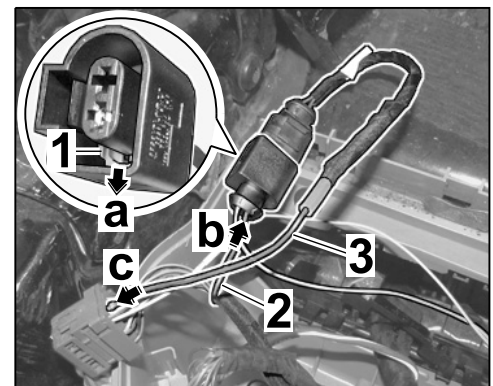


Figure 22

- 3 Fit the engine noise pulse sender and the control unit of the engine noise pulse sender.
  - 3.1 Position engine noise pulse sender ⇒ *Figure 23-3*- using the guide lug on the holder and secure with an M6 hexagon nut ⇒ *Figure 23-4*-.
  - 3.2 Position the engine noise pulse sender control unit ⇒ *Figure 23-1*- on the welded studs and tighten using plastic nuts ⇒ *Figure 23-2*-.

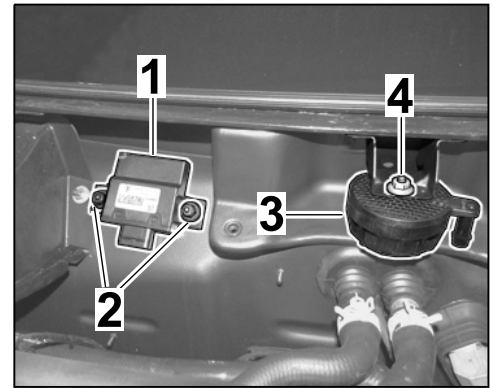


Figure 23

- 4 Install an electric wire harness for the engine noise pulse sender.
  - 4.1 Overview of wire harness for engine noise pulse sender.

- 1 – Engine noise pulse sender connector
- 2 – Engine noise pulse sender control unit connector
- 3 – Socket contacts (OR/BK and OR/BN lines)
- 4 – Pin contacts (OR/BK and OR/BN lines)
- 5 – Adapter line
  - 5.1 – Plug socket (adapter line)
  - 5.2 – Pin connector socket (adapter line)
- 6 – Cable ring eyelet
- 7 – Connector housing (CAN connection point)
  - 7.1 – Plug socket
  - 7.2 – Pin connector socket
- 8 – Line (RD/YE)

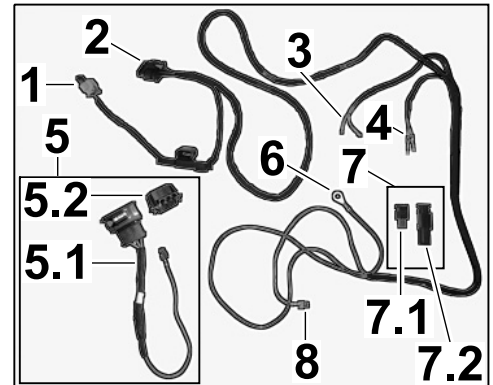
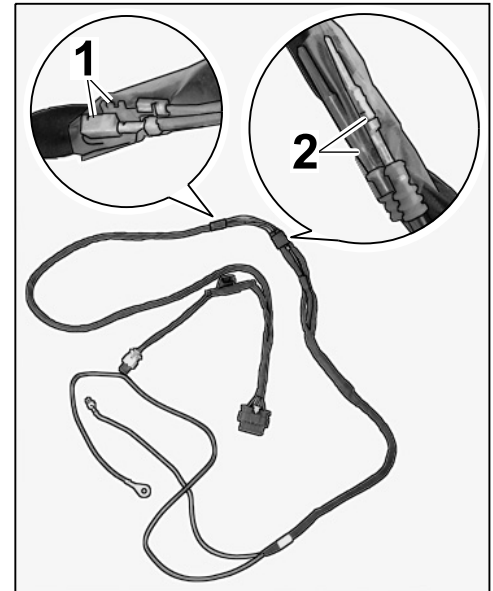


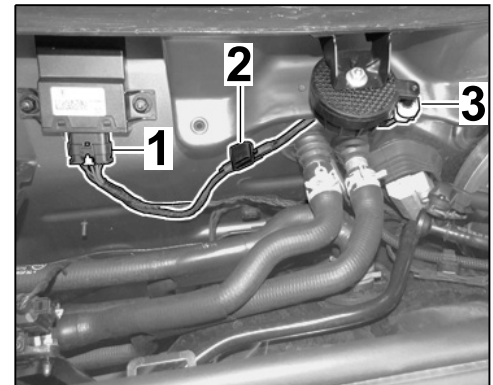
Figure 24

- 4.2 Secure the socket contacts ⇒ *Figure 25-1-* and pin contacts ⇒ *Figure 25-2-* of the OR/BK and OR/BN lines to the wire harness of the engine noise pulse sender using wrapping tape.



*Figure 25*

- 4.3 Connect the plug connection ⇒ *Figure 26-1-* to the engine noise pulse sender control unit.  
Fit clip ⇒ *Figure 26-2-* on bolt.  
Create a plug connection ⇒ *Figure 26-3-* to the engine noise pulse sender.



*Figure 26*

- 4.4 Route the wire harness of the engine noise pulse sender wire ⇒ *Figure 27-1-* along the positive cable to the grommet on the fuse box in the cowl panel ⇒ *Figure 27-2-* and secure using tie-wraps.

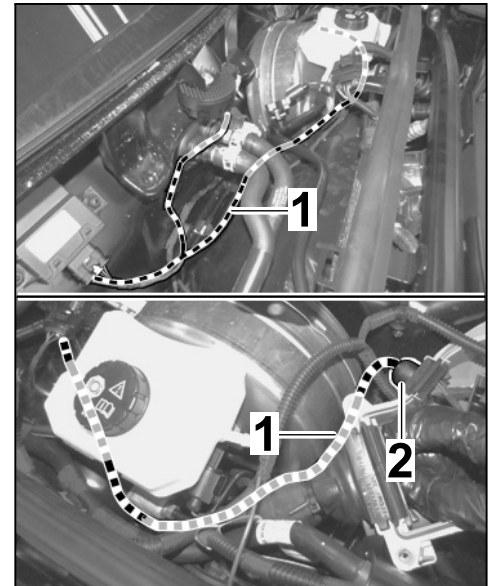


Figure 27



### Information

Secure pin and socket contacts on the wire harness before feeding the wire harness through.

- 4.5 Punch grommet ⇒ *Figure 28-1-*.  
Carefully feed wire harness for engine noise pulse sender control unit ⇒ *Figure 28-2-* through the grommet ⇒ *Figure 28-arrows-*.



### Information

Handle CAN lines with care and re-twist lines manually if necessary.

- 4.6 Connect CAN lines from the engine noise pulse sender wire harness.

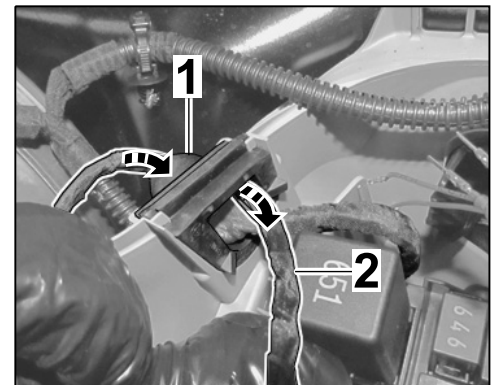


Figure 28

## 4.6.1 Overview of CAN line connections.

- 1 – Socket contacts of OR/BN and OR/BK lines
- 2 – Pin connector socket (connection point for CAN line)
- 3 – Pin contacts of OR/BN and OR/BK lines
- 4 – Plug socket (CAN line connection point)
- 5 – Standard OR/BN and OR/BK lines (pressed out of white 17-pin connector)
- 6 – White 17-pin connector (connection point X 372)

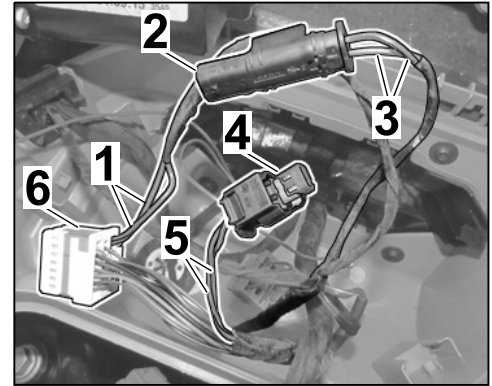


Figure 29

## 4.6.2 Open secondary lock ⇒ Figure 30-1- on the white 17-pin connector.

**Information**

Ensure socket contact is seated securely.

## 4.6.3 Press OR/BN line out of chamber 13 and insert it into plug socket ⇒ Figure 30-2-, chamber 1 ⇒ Figure 30-a-.

Press OR/BK line out of chamber 14 and insert it into chamber 2 of plug socket ⇒ Figure 30-2- (⇒ Figure 30-b-).

## 4.6.4 Close secondary lock on plug socket ⇒ Figure 30-2- (⇒ Figure 30-c-).

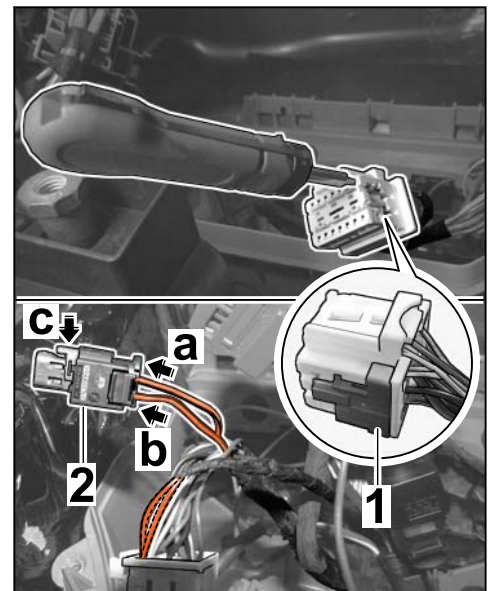


Figure 30



**Information**

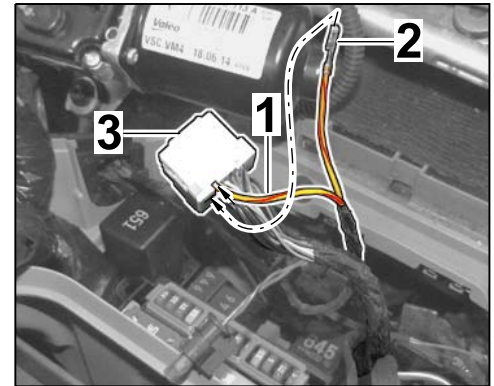
Ensure socket contact is seated securely.

- 4.6.5 Insert OR/BN line ⇒ *Figure 31 -1-* from wire harness for engine noise pulse sender control unit into chamber 13 of the white 17-pin connector ⇒ *Figure 31 -3-*.

Insert OR/BK line ⇒ *Figure 31 -2-* from wire harness for engine noise pulse sender control unit into chamber 14 of the white 17-pin connector.

Twist CAN lines manually.

- 4.6.6 Lock secondary lock on the white 17-pin connector.



*Figure 31*



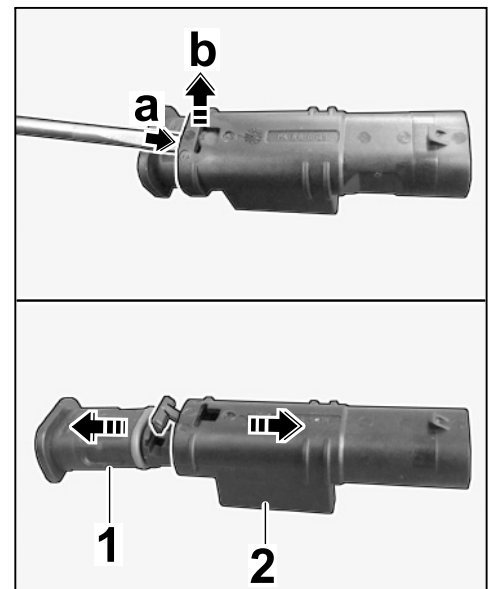
**Information**

Ensure socket contact is seated securely.

- 4.7 Connect pin contacts of the engine noise pulse sender wire harness (CAN lines).

- 4.7.1 Insert a small screwdriver between the pin connector socket ⇒ *Figure 32 -1-* and housing ⇒ *Figure 32 -2-* ⇒ *Figure 32 -a-*.

Lift carefully ⇒ *Figure 32 -b-* and disconnect the pin connector socket from the housing.



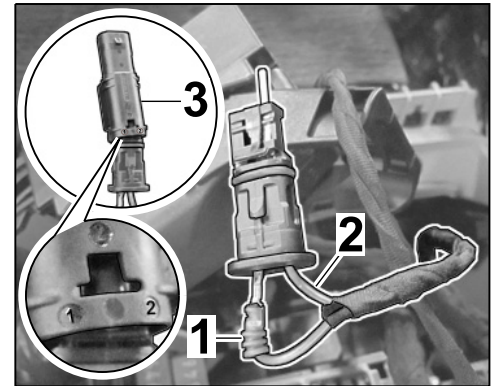
*Figure 32*

**Information**

Labelling of the chambers on the housing ⇒ Figure 30 -3-.

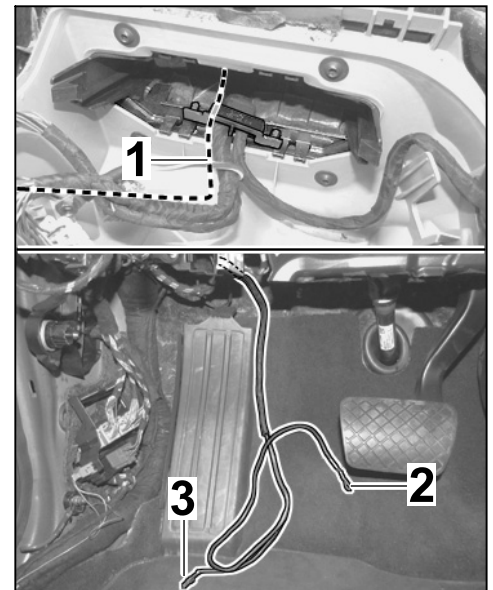
- 4.7.2 Insert pin contact of the OR/BK line  
⇒ *Figure 33-2-* into chamber 2.

Insert the pin contact of the OR/BN  
line ⇒ *Figure 33-1-* into chamber  
1.



*Figure 33*

- 4.8 Guide BN line ⇒ *Figure 34-2-* and RD/YE line  
⇒ *Figure 34-3-* from wire harness for engine  
noise pulse sender control unit ⇒ *Figure 34-1-*  
through the drawer for the DME control  
unit into the passenger compartment.



*Figure 34*

4.9 Route the wire harness for the engine noise pulse sender ⇒ *Figure 35-2*- and the wire harness for the sport exhaust system ⇒ *Figure 35-1*- parallel to the standard lines.

Clip in the wire harness holder ⇒ *Figure 35-3*-.

4.10 Secure fuse box in the cowl panel.

4.10.1 Fit the fuse box in the cowl panel.

4.10.2 Connect the electric plug connectors (disconnection points).

- 2 – Disconnection point for CAN lines
- 3 – Disconnection point for RD/GN line

4.10.3 Seal grommet ⇒ *Figure 36-1*- using sealing cord.

4.10.4 Tighten M6 hexagon nut for the positive cable to the fuse box in the cowl panel.

**Tightening torque 9 Nm (6.5 ftlb.)**

4.10.5 Install the DME control unit ⇒ *Figure 37-1*-. ⇒ *Workshop Manual '247019 Removing and installing the DME control unit'*

Secure the disconnection points ⇒ *Figure 37-2*- in the fuse box using tie-wraps to prevent rattle.

4.11 Wiring diagram for the engine noise pulse sender wire harness (passenger compartment).

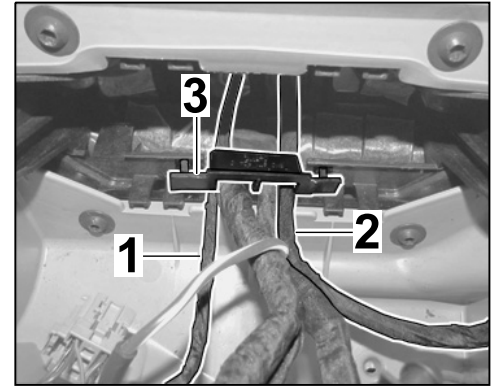


Figure 35

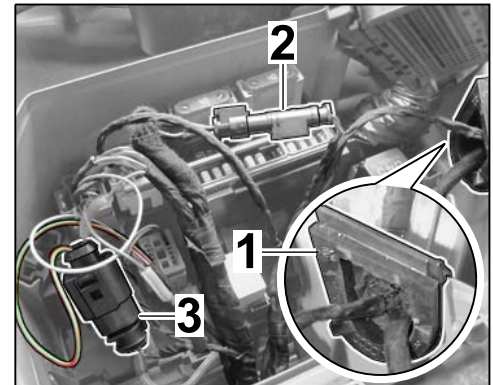


Figure 36

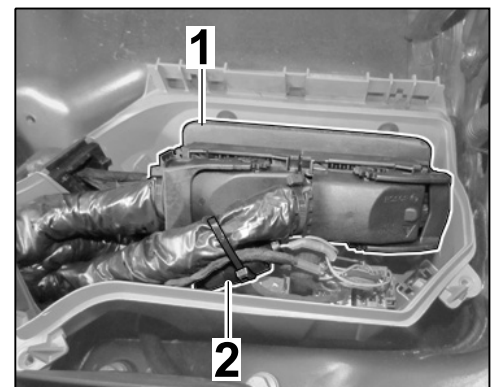


Figure 37

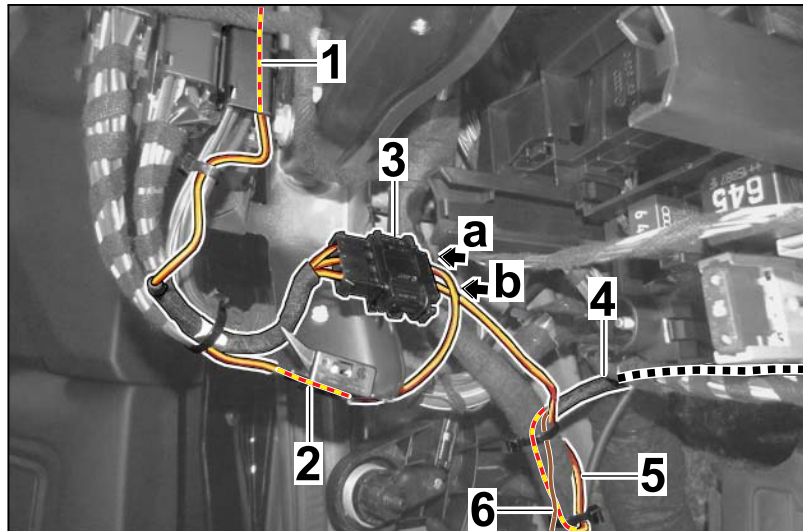


Figure 38

- 1 – Adapter lead (RD/YE) from disconnection point to fuse strip A (black)
- 2 – Standard RD/YE line to fuse strip A (black)
- 3 – Disconnection point
- 4 – Engine noise pulse sender wire harness (RD/YE lines and BN ground line)
- 5 – RD/YE line (engine noise pulse sender wire harness)
- 6 – BN ground line (engine noise pulse sender wire harness)

#### 4.12 Connect the adapter lead (RD/YE).

- 4.12.1 Release fuse strip A (black) ⇒ *Figure 39-1* - using a screwdriver ⇒ *Figure 39-a* - and remove it by pulling it to the rear ⇒ *Figure 39-b* - and out of the fuse box.

Release the cover cap of fuse strip A (black) ⇒ *Figure 39-2* - on both sides ⇒ *Figure 39-3* - and remove it ⇒ *Figure 39-c* -.

Use a screwdriver ⇒ *Figure 39-4* - to open the secondary lock ⇒ *Figure 39-5* - of fuse strip A (black) ⇒ *Figure 39-d* -.

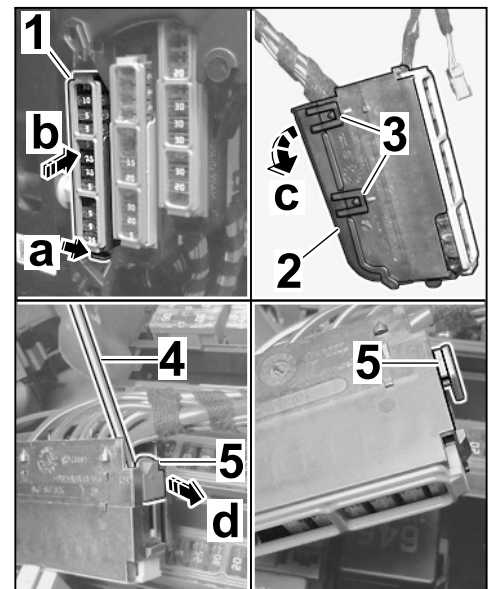


Figure 39

- 4.12.2 Remove the wrapping tape ⇒ *Figure 40-1*- from the standard wire harness.  
Unlock and pull out the socket contact of the RD/YE line from chamber 3 on fuse strip A (black) ⇒ *Figure 40-arrow*-.
- 4.12.3 Open the cover of the plug socket (disconnection point) ⇒ *Figure 41-3*-.

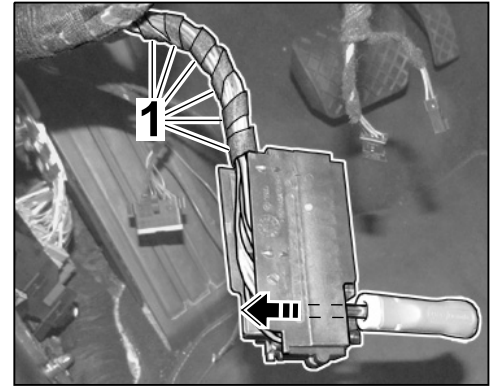


Figure 40



**Information**

Ensure socket contact is seated securely.

Insert the removed socket contact of the RD/YE line ⇒ *Figure 41-2*- into the plug socket (disconnection point) ⇒ *Figure 41-3*- ⇒ *Figure 41-b*-.



**Information**

Ensure socket contact is seated securely.

Insert socket contact of the adapter lead (RD/YE) ⇒ *Figure 41-1*- into chamber 3 ⇒ *Figure 41-a*- of fuse strip A (black).

- 4.12.4 Close secondary lock on fuse strip A (black).

Fit cover cap of fuse strip A (black).

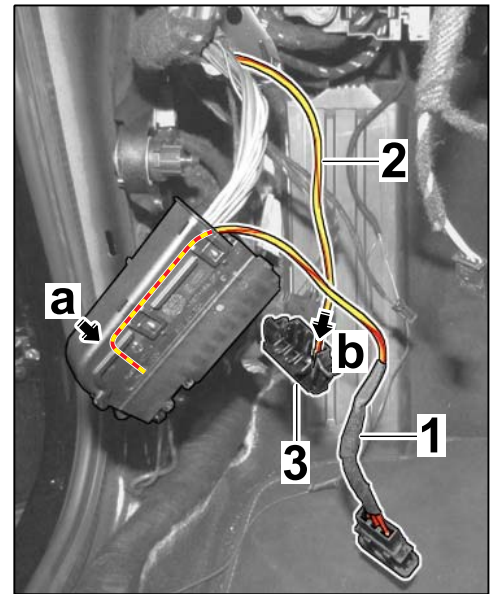


Figure 41

- 4.12.5 Secure the adapter lead (RD/YE) ⇒ *Figure 42-3-* to the standard wire harness using wrapping tape.

Fit fuse strip A (black) ⇒ *Figure 42-1-* in the fuse box ⇒ *Figure 42-a-*.

**Only** for vehicles without knee airbag:

Secure pin connector socket (connection point) ⇒ *Figure 42-2-* at the edge ⇒ *Figure 42-b-*.

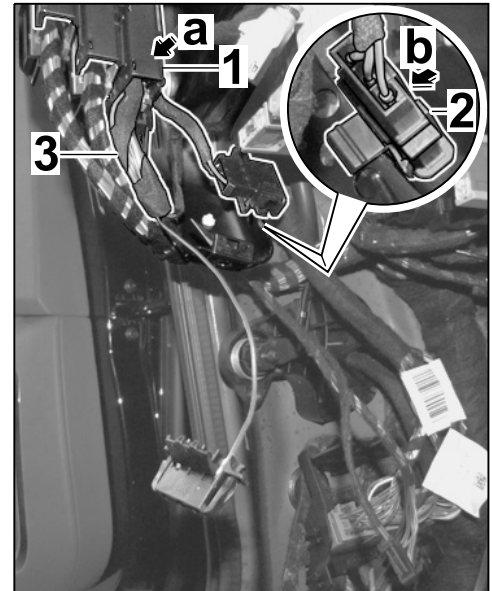


Figure 42

**Only** for vehicles with knee airbag:  
Secure pin connector socket (connection point) ⇒ *Figure 43-1-* on the knee airbag holder ⇒ *Figure 43-2-* (⇒ *Figure 43-a-*).

- 4.12.6 Insert 10 A blade-type fuse into slot 3 on the fuse strip.

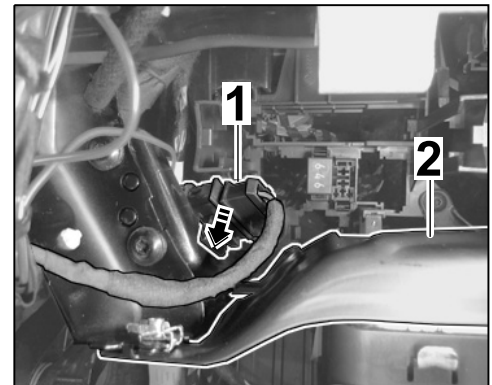


Figure 43

- 4.13 Connect the RD/YE line ⇒ *Figure 44-2-* and BN line ⇒ *Figure 44-1-* of the engine noise pulse sender wire harness.

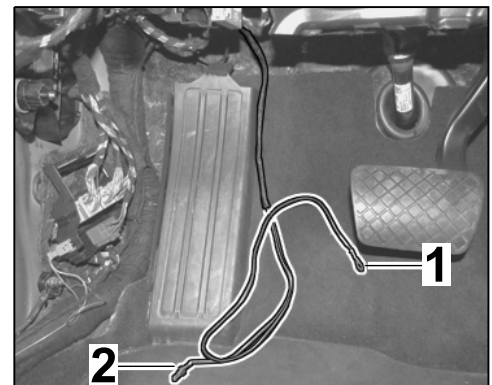


Figure 44



**Information**

Ensure socket contact is seated securely.

- 4.13.1 Insert RD/YE line ⇒ *Figure 45-1* into the plug socket of the disconnection point ⇒ *Figure 45-2* ⇒ *Figure 45-a*.

Close the cover of the plug socket (disconnection point).

Connect the disconnection point plug.

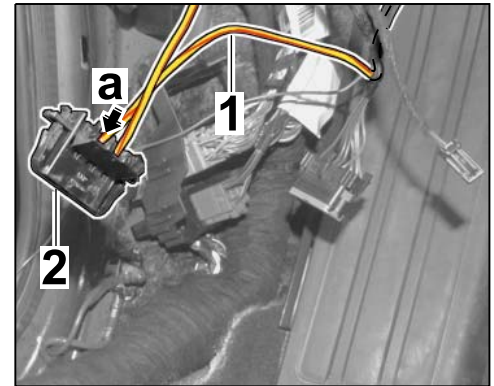


Figure 45



**Information**

Secure ground line (BN) to ground pin 22 in right-hand drives.

- 4.13.2 Secure the ground line (BN) ⇒ *Figure 46-1* to ground pin 21 ⇒ *Figure 46-2*.

**Tightening torque 9 Nm (6.5 ftlb.)**

5 Concluding work.

- 5.1 **Only** for vehicles with rear-differential lock (I-no. 1Y1):  
Install rear-differential lock control unit and holder. ⇒ *Workshop Manual '397519 Removing and installing control unit for rear-differential lock'*

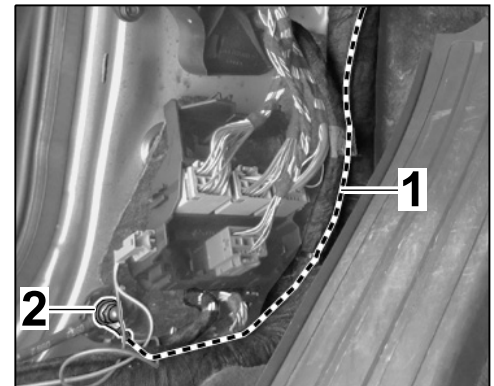


Figure 46

- 5.2 Insert oddments tray ⇒ *Figure 47-2-*.  
Tighten nuts ⇒ *Figure 47-1-*.
- 5.3 Install rear door sill trim (on driver's side).
- 5.3.1 Install rear door sill trim (on driver's side). ⇒ *Workshop Manual '680519 Removing and installing rear inner door sill trim'*
- 5.3.2 **Only** for vehicles with rear side airbag:  
Install rear side airbag (on driver's side). ⇒ *Workshop Manual '696419 Removing and installing rear side airbag'*
- 5.3.3 Install side trim panel for luggage compartment (on driver's side). ⇒ *Workshop Manual '700319 Removing and installing side trim panel for rear luggage compartment'*
- 5.3.4 Install the rear lock carrier cover. ⇒ *Workshop Manual '703919 Removing and installing the rear lock carrier cover'*
- 5.4 Install trim panel for luggage compartment at the side (on driver's side). ⇒ *Workshop Manual '700619 Removing and installing trim panel for luggage compartment (luggage compartment cover) at the sides'*
- 5.5 Install rear seat backrest (on driver's side).

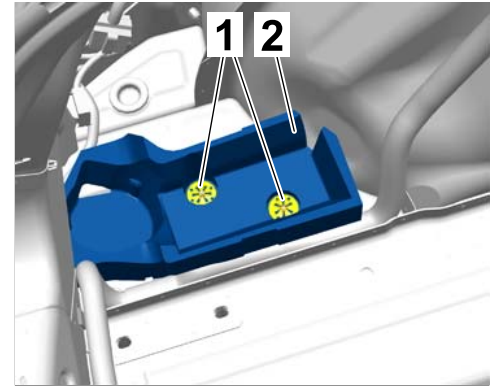


Figure 47

- 5.5.1 Install the rear left seat backrest. ⇒ *Workshop Manual '724719 Removing and installing the rear backrest'*
- 5.5.2 Tighten the belt fitting ⇒ *Figure 48-2-* for the center seat belt using a new screw ⇒ *Figure 48-1-*.  
**Tightening torque 50 Nm (37 ftlb.)**
- 5.5.3 Install the rear seat. ⇒ *Workshop Manual '724819 Removing and installing the rear seat'*
- 5.6 Install lower part of B-pillar trim panel (on driver's side).
- 5.6.1 Install lower part of B-pillar trim panel (on driver's side). ⇒ *Workshop Manual '706719 Removing and installing lower part of B-pillar trim panel'*
- 5.6.2 Install upper part of B-pillar trim panel (on driver's side). ⇒ *Workshop Manual '706719 Removing and installing upper part of B-pillar trim panel'*

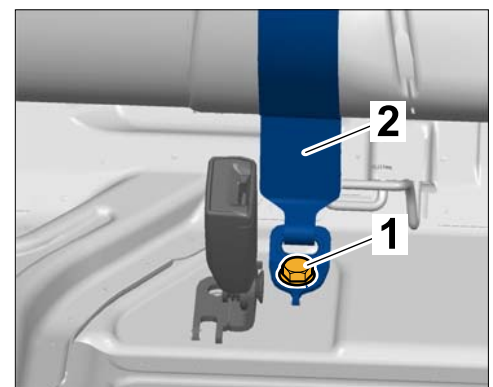


Figure 48

- 5.6.3 Secure the belt fitting on the front seat (driver's side). ⇒ *Workshop Manual '691119 Removing and installing front three-point belt'*
- 5.7 Install front inner door sill trim (on driver's side). ⇒ *Workshop Manual '680519 Removing and installing front inner door sill trim'*
- 5.8 Install trim panel under dashboard (driver's side). ⇒ *Workshop Manual '70191901 Removing and installing trim panel under dashboard at the left'*
- 5.9 Install filler neck for washer-fluid reservoir.
  - 5.9.1 Insert filler neck ⇒ *Figure 49-1-* into the washer-fluid reservoir.
  - 5.9.2 Screw in and tighten screws ⇒ *Figure 49-2-*.
- 5.10 Install the cowl panel cover. ⇒ *Workshop Manual '508719 Removing and installing the cowl panel cover'*
- 5.11 Install the wiper arms. ⇒ *Workshop Manual '921519 Removing and installing the wiper motor'*
- 5.12 Install windshield moulding at the left or right.

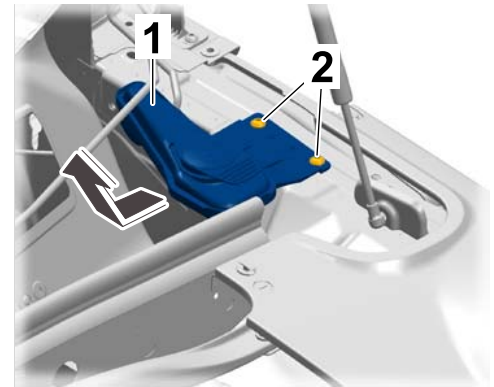


Figure 49

- 6 Install new rear mufflers.
  - 6.1 Replace rear muffler. ⇒ *Workshop Manual '263355 Replacing rear silencer'*
  - 6.2 Connect connector ⇒ *Figure 50-2-* on servo motor for exhaust flap control ⇒ *Figure 50-1-* at the left and right. Lock connector.
  - 6.3 Install tailpipe cover. ⇒ *Workshop Manual '263519 Removing and installing tailpipe cover'*
- 7 Connect the battery. ⇒ *Workshop Manual '2X00IN Work instructions after disconnecting the battery'*
- 8 Convert front button module.

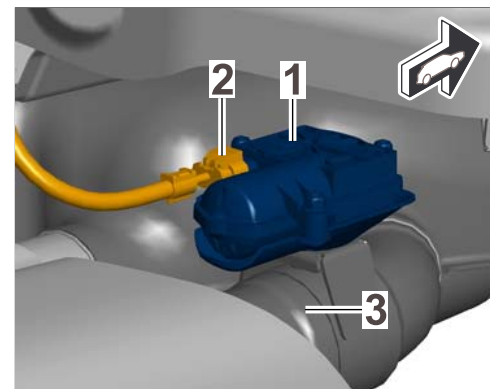


Figure 50

- 8.1 Remove switch console. ⇒ *Workshop Manual '962719 Removing and installing switch console'*

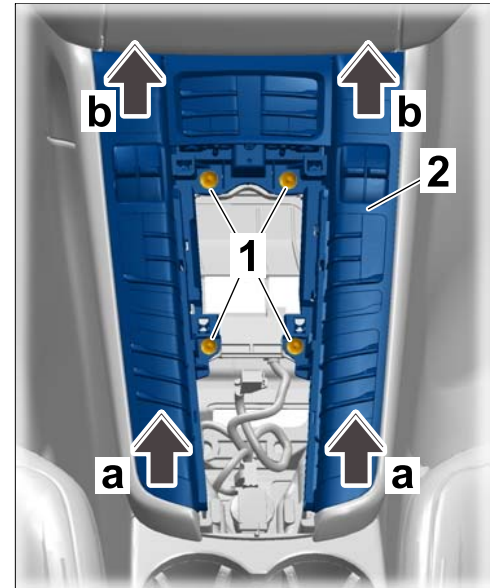


Figure 51

- 8.2 Replace button module at the right.
- 8.2.1 Disconnect plug connection ⇒ *Figure 52 -3-*.
- 8.2.2 Remove screws ⇒ *Figure 52 -arrows-*.
- 8.2.3 Replace button module ⇒ *Figure 52 -2-* with a new button module with "sports exhaust system".
- 8.2.4 Tighten screws.
- 8.2.5 Connect plug connection.
- 8.3 Install front switch console. ⇒ *Workshop Manual '962719 Removing and installing switch console'*.

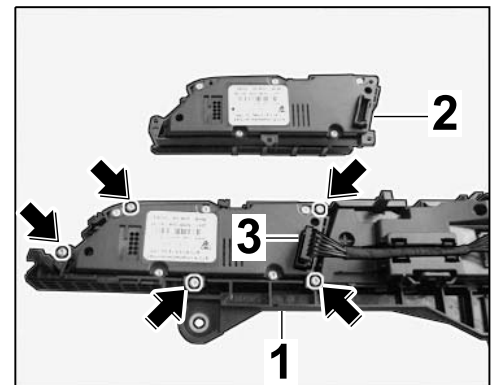


Figure 52

- 9 Connect a battery charger. ⇒ *Workshop Manual '2X00IN Battery trickle charging'*

#### NOTICE

##### Voltage drop

- Risk of irreparable damage to control unit
- Risk of damage to control unit
- Fault entries in the control unit
- Coding in the control unit is aborted

- **Malfunctions in control unit, even during programming**
- ⇒ **Switch off the ignition and remove the ignition key before disconnecting the control unit.**
- ⇒ **Ensure that the power supply is not interrupted during programming.**
- ⇒ **Connect a battery charger with a current rating of at least Nominal value 90 A to the vehicle battery.**



### Information

The **9900 - PIWIS Tester III** instructions take precedence since the description may be different with later Tester releases.

The procedure described here has been structured in general terms; different text or additions may appear on the **9900 - PIWIS Tester III**.

- 10 Code sport exhaust system.
  - 10.1 **9900 - PIWIS Tester 3** must be connected before switching on the ignition.
  - 10.2 Select the required vehicle type. PIWIS Tester III Diagnostics starts.
  - 10.3 Maintenance of vehicle data.
    - 10.3.1 **Additional menu** must now be selected by pressing **•F7"** . Press **•F11"** to confirm the question "Create vehicle analysis log (VAL)?".
    - 10.3.2 Select the **Maintenance of vehicle data** function. Press **•F12"** until **PR numbers** appears in the Value group column.
    - 10.3.3 Select **Exhaust tailpipe** in the Family column.  
Open the sub-menu in the Value column and select **OP8 - Sport exhaust system or OP9 - Sport exhaust system, black**.
    - 10.3.4 Select **Interior sound measures** in the Family column.  
Open the sub-menu in the Value column and select **2HB - Interior sound measures, shaker**. Press **•F12"** to continue.
    - 10.3.5 The selected values appear. Press **•F8"** to write values. Wait until the message **Generation of vehicle data is complete. .... to continue.** appears.
    - 10.3.6 Press **•F12"** to switch to Report management. Press **•F10"** to open the log and check that the vehicle equipment **OP8 - Sport exhaust system or OP9 - Sport exhaust system, black 2HB - Interior sound measures, shaker** is entered. Close the log.  
Press **•F11"** to switch to the control unit overview.
  - 10.4 Adapt coding.
    - 10.4.1 Select all control units by pressing **•Ctrl A"** .  
Switch to the **Coding/programming** menu.

10.4.2 **Automatic coding** must now be selected. Press •F12“ to continue.

10.4.3 Wait until the message **Coding has been completed successfully** appears. Press •F12“ to continue.

Switch to the **Overview** menu.

10.5 Read out the fault memories of all systems, work through any existing faults and erase the fault memories. ⇒ *Workshop Manual '0335IN Diagnostic maintenance: diagnostic system and maintenance inter...'*

10.6 Switch off ignition and disconnect **9900 - PIWIS Tester 3**.

11 Disconnect the battery charger. ⇒ *Workshop Manual '2X00IN Battery trickle charging'*

26013100:

Exhaust system converted

Labor time: **530 TU**

Includes: Replacing rear muffler, routing and connecting wire harness for engine noise pulse sender and wire harness for sport exhaust system.

**Important Notice:** Technical Bulletins issued by Porsche Cars North America, Inc. are intended only for use by professional automotive technicians who have attended Porsche service training courses. They are written to inform those technicians of conditions that may occur on some Porsche vehicles, or to provide information that could assist in the proper servicing of a vehicle. Porsche special tools may be necessary in order to perform certain operations identified in these bulletins. Use of tools and procedures other than those Porsche recommends in these bulletins may be detrimental to the safe operation of your vehicle, and may endanger the people working on it. Properly trained Porsche technicians have the equipment, tools, safety instructions, and know-how to do the job properly and safely. Part numbers listed in these bulletins are for reference only. The work procedures updated electronically in the Porsche PIWIS diagnostic and testing device take precedence and, in the event of a discrepancy, the work procedures in the PIWIS Tester are the ones that must be followed.

© 2018 Porsche Cars North America, Inc.